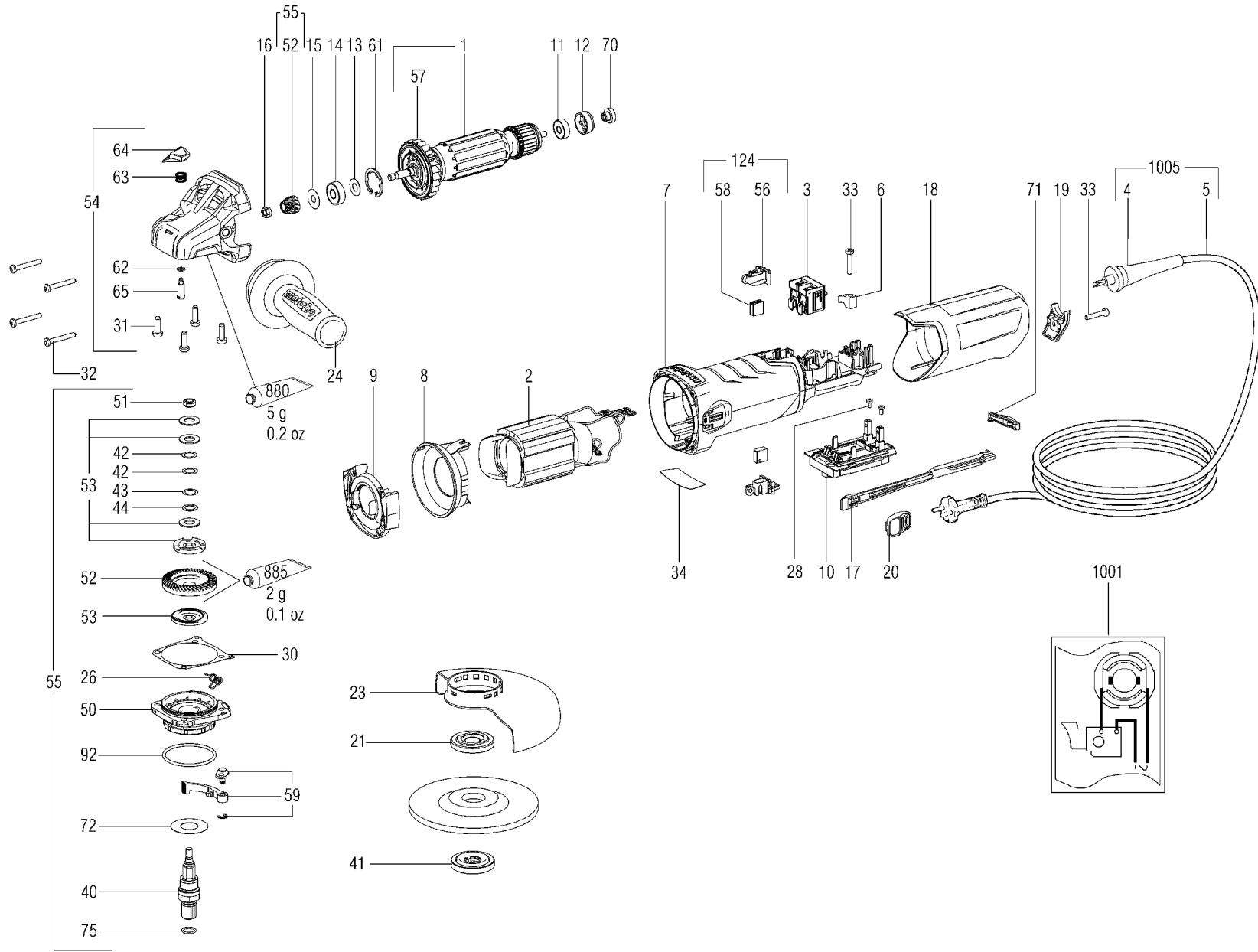


**WEV 17-125 Quick / 00516000 / TV 00 / EU 230V**

<b>Pos.</b>	<b>Part No.</b>	<b>Description</b>	<b>Quant.</b>
1	310010990	Armature compl., 230V	1
2	311012980	Field coil assembly 230V	1
3	343410120	Switch 2-pole	1
6	343362490	Cable clip	1
7	315013520	Motor housing 2 part	1
8	339151180	Baffle	1
9	339151200	Baffle	1
10	343085850	Electronic unit,230V 50/60Hz	1
11	143115690	Ball bearing,6x19x6	1
12	344097870	Rubber bushing	1
13	339133060	Washer,8,05x17x0,4	1
14	143115700	Ball bearing,8x22x7	1
15	339006390	Washer,7,05x19,5x0,2	1
16	341100940	Hexagon nut w.recess	1
17	343433070	Switch rod	1
18	343433030	Cap	1
19	343433100	End cap	1
20	343437100	Switch slide	1
21	341031160	Clamping flange	1
23	339204500	Wheel guard,D125	1
24	314000970	Anti-vibration handle,M 8	1
26	342022490	Spring clip	1
28	141121430	Fill. head screw(DIN 7985)	2
30	339012430	Gasket	1
31	141121640	Fill. head screw(DIN 7985)	4
32	141116980	Self-tap. fill. h. screw	4
33	141117060	Self-tap. fill. h. screw	2
34	338067050	Rating plate 00516000 WEV 17-125 Qui	1

**WEV 17-125 Quick / 00516000 / TV 00 / EU 230V**

<b>Pos.</b>	<b>Part No.</b>	<b>Description</b>	<b>Quant.</b>
40	341604420	Spindle M14	1
41	316055350	Clamping nut compl.,M14	1
42	141151120	Washer 10,2 X 14,8X 0,2	2
43	141152300	Washer 10,2 X 14,8X 0,1	1
44	141153920	Washer 10,2 X 14,8X 0,5	1
50	343433280	Flange compl.	1
51	341102460	Nut	1
52	316054980	Bevel gear w.pinion	1
53	316055080	Friction washer set compl.	1
54	316055100	Gear housing compl.	1
55	316054260	Safety clutch w.pinion	1
57	316054850	Fan w. dust guard	1
58	316067170	carbonbrush with brushholder Set 230V	1
59	316066040	Clamping lever compl.	1
61	141156650	Retaining ring	1
62	143196000	O-ring	1
63	342003390	Pressure spring	1
64	343433130	Push button	1
65	341515640	Bolt	1
70	343433060	Tacho disc	1
71	343433090	Pivoting switch	1
72	339007800	Washer	1
75	143192490	O-ring	1
92	143195640	O-ring	1
880	344130920	Grease 100G	1
885	344130560	Grease SF 011 50Gr 1,8oz	1
1001	338505780	Diagram	1
1005	316067320	Cable with sleeve	1



**WEV 17-125 Quick / 00516001 / TV 00 / EU 230V**

<b>Pos.</b>	<b>Part No.</b>	<b>Description</b>	<b>Quant.</b>
1	310010990	Armature compl., 230V	1
2	311012980	Field coil assembly 230V	1
3	343410120	Switch 2-pole	1
6	343362490	Cable clip	1
7	315013520	Motor housing 2 part	1
8	339151180	Baffle	1
9	339151200	Baffle	1
10	343085850	Electronic unit,230V 50/60Hz	1
11	143115690	Ball bearing,6x19x6	1
12	344097870	Rubber bushing	1
13	339133060	Washer,8,05x17x0,4	1
14	143115700	Ball bearing,8x22x7	1
15	339006390	Washer,7,05x19,5x0,2	1
16	341100940	Hexagon nut w.recess	1
17	343433070	Switch rod	1
18	343433030	Cap	1
19	343433100	End cap	1
20	343437100	Switch slide	1
21	341031160	Clamping flange	1
23	339204500	Wheel guard,D125	1
24	314000970	Anti-vibration handle,M 8	1
26	342022490	Spring clip	1
28	141121430	Fill. head screw(DIN 7985)	2
30	339012430	Gasket	1
31	141121640	Fill. head screw(DIN 7985)	4
32	141116980	Self-tap. fill. h. screw	4
33	141117060	Self-tap. fill. h. screw	2
34	338067050	Rating plate 00516000 WEV 17-125 Qui	1

**WEV 17-125 Quick / 00516001 / TV 00 / EU 230V**

<b>Pos.</b>	<b>Part No.</b>	<b>Description</b>	<b>Quant.</b>
40	341604420	Spindle M14	1
41	316055350	Clamping nut compl.,M14	1
42	141151120	Washer 10,2 X 14,8X 0,2	2
43	141152300	Washer 10,2 X 14,8X 0,1	1
44	141153920	Washer 10,2 X 14,8X 0,5	1
50	343433280	Flange compl.	1
51	341102460	Nut	1
52	316054980	Bevel gear w.pinion	1
53	316055080	Friction washer set compl.	1
54	316055100	Gear housing compl.	1
55	316054260	Safety clutch w.pinion	1
56	316065420	Brush holder set	1
57	316054850	Fan w. dust guard	1
58	316065450	Carbon brush set cut-off	1
59	316066040	Clamping lever compl.	1
61	141156650	Retaining ring	1
62	143196000	O-ring	1
63	342003390	Pressure spring	1
64	343433130	Push button	1
65	341515640	Bolt	1
70	343433060	Tacho disc	1
71	343433090	Pivoting switch	1
72	339007800	Washer	1
75	143192490	O-ring	1
92	143195640	O-ring	1
124	316067170	carbonbrush with brushholder Set 230V	1
880	344130920	Grease 100G	1
885	344130560	Grease SF 011 50Gr 1,8oz	1

**WEV 17-125 Quick / 00516001 / TV 00 / EU 230V**

<b>Pos.</b>	<b>Part No.</b>	<b>Description</b>	<b>Quant.</b>
1001	338505780	Diagram	1
1005	316067320	Cable with sleeve	1